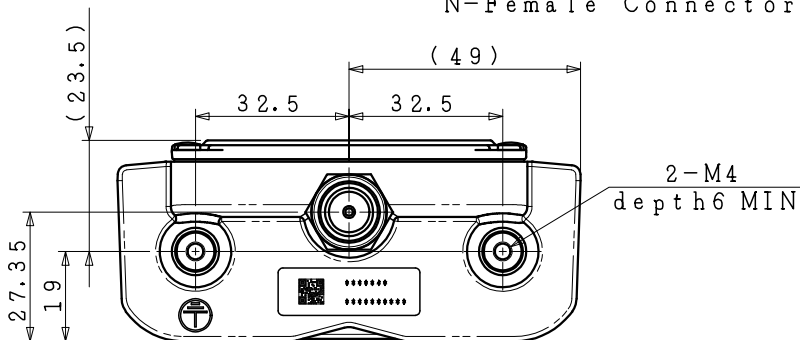
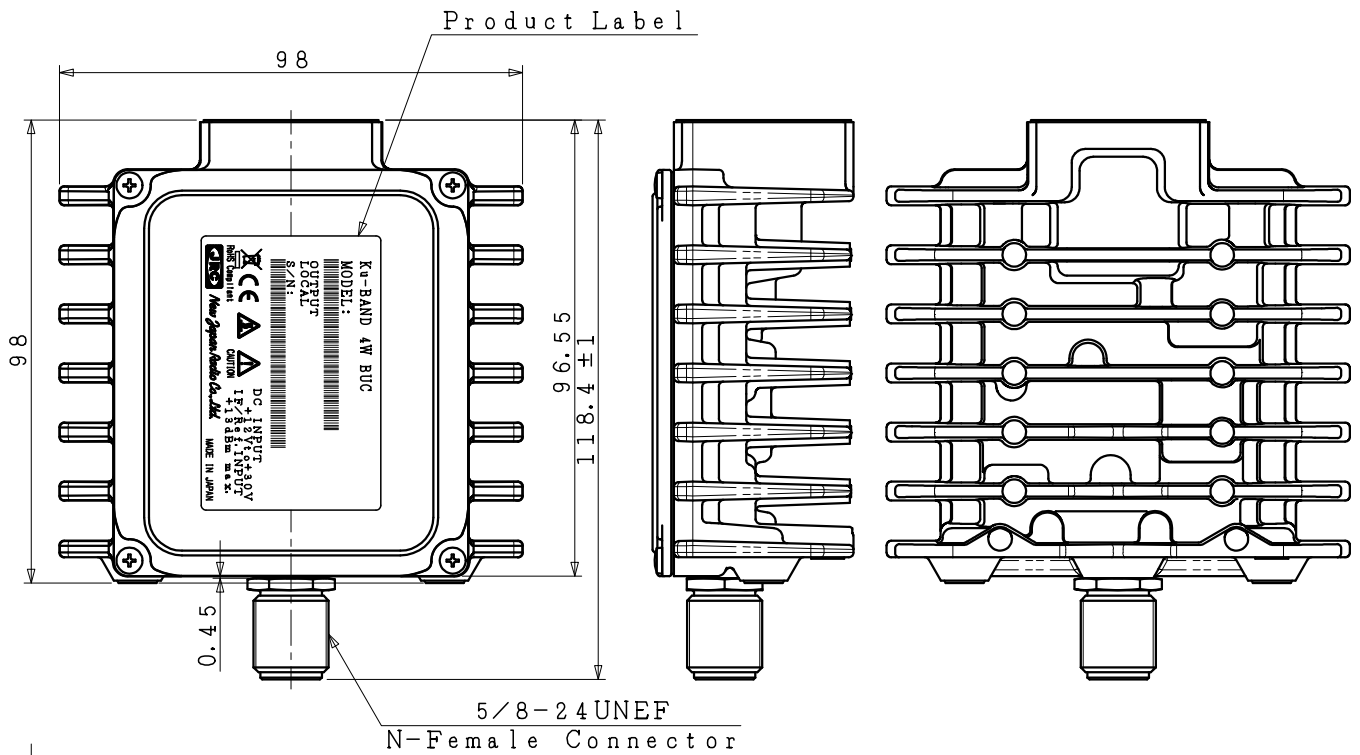
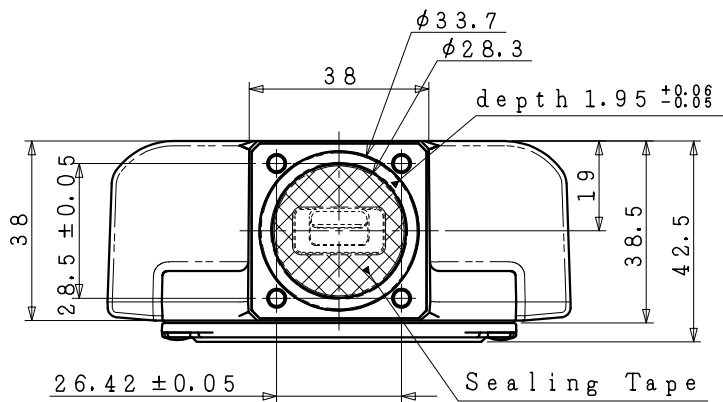


Universal/Standard Ku-band 4W BUC

MODEL No. NJT8304 series

N-type, female Connector Model / DC Input: IF Connector



UNIT: mm

Tolerance: ± 0.5

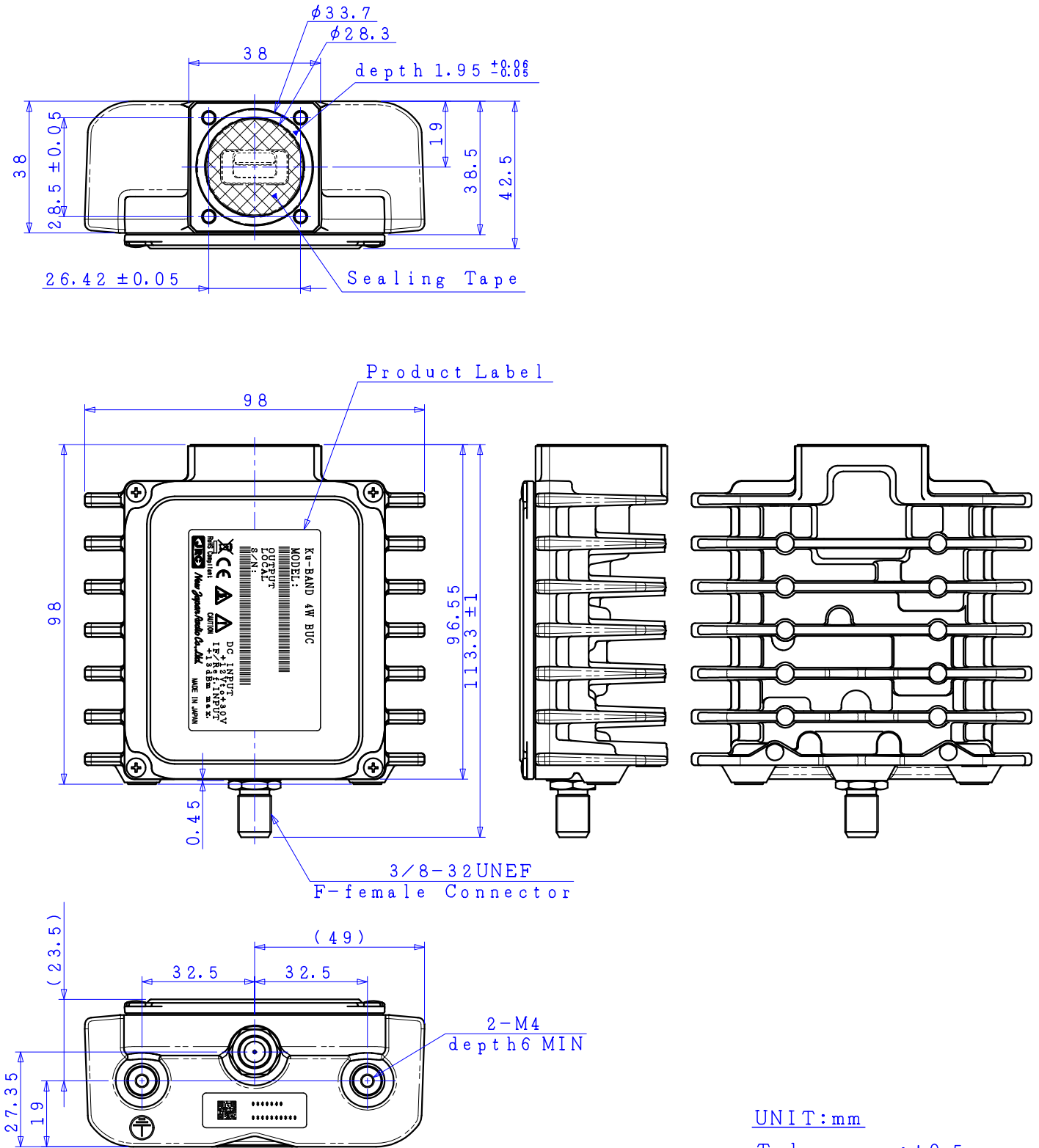
*Note: The contents of this sheet are subject to change without notice.

Universal/Standard Ku-band 4W BUC

MODEL No. NJT8304 series

< Outline Drawing >

F-type, female Connector Model / DC Input: IF Connector



UNIT: mm

Tolerance: ± 0.5

*Note: The contents of this sheet are subject to change without notice.